

Volvo Learn Keys

Table of contents

| | |
|---------------------------|---|
| Getting Started | 3 |
| System requirements | 3 |
| Getting help | 3 |

Getting Started

System requirements

For Learn Keys we need:

- UHDS
- VO0013 activation
- Programmer for 95320 , MC9S12, R32C

Getting help

We can Learn Keys in Volvo Cars by OBD (required dump of EEPROM from CEM and optional KVM modules) Supported normal keys and KeyLess system.

- V40 2013...
- series 60 2008...
- series 70 2008...
- series 80 2006...

For Learn Keys with regular keys we need to have EEPROM from CEM module

For Learn Keys with KeyLess keys we need to have EEPROM from CEM module and EEPROM from KVM Module.

There is 3 kind on CEM Module s.

SPC560+95320 (we have to read only 95320 EEPROM)

M32C+95320 (we have to read only 95320 EEPROM)

R32C we have to read internal EEPROM R5F645xx).

KVM Module is on HCS12 MCU and we need to have EEPROM.

I. Learn regular keys

For Learn regular keys we need to select option 'Learn Key Volvo 60,70,80 2007-'

Available options:

- Erase Keys
- Learn Keys

When we press 'Erase Keys' button or 'Learn Key' button soft ask us for dump of CEM module.

For learn key please first insert Key in ignition coil

Process take few second and operation is done.

II. Learn KeyLess keys

For Learn keyless keys we need to select option 'Learn KeyLess (CEM+KVM) Volvo 60,70,80 2007-'

Available options:

- Erase Keys
- Learn Keys

When we press 'Erase Keys' button or 'Learn Key' button soft ask us for dump of CEM module and next for eeprom from KVM .

For learn key please first insert Key in ignition coil.

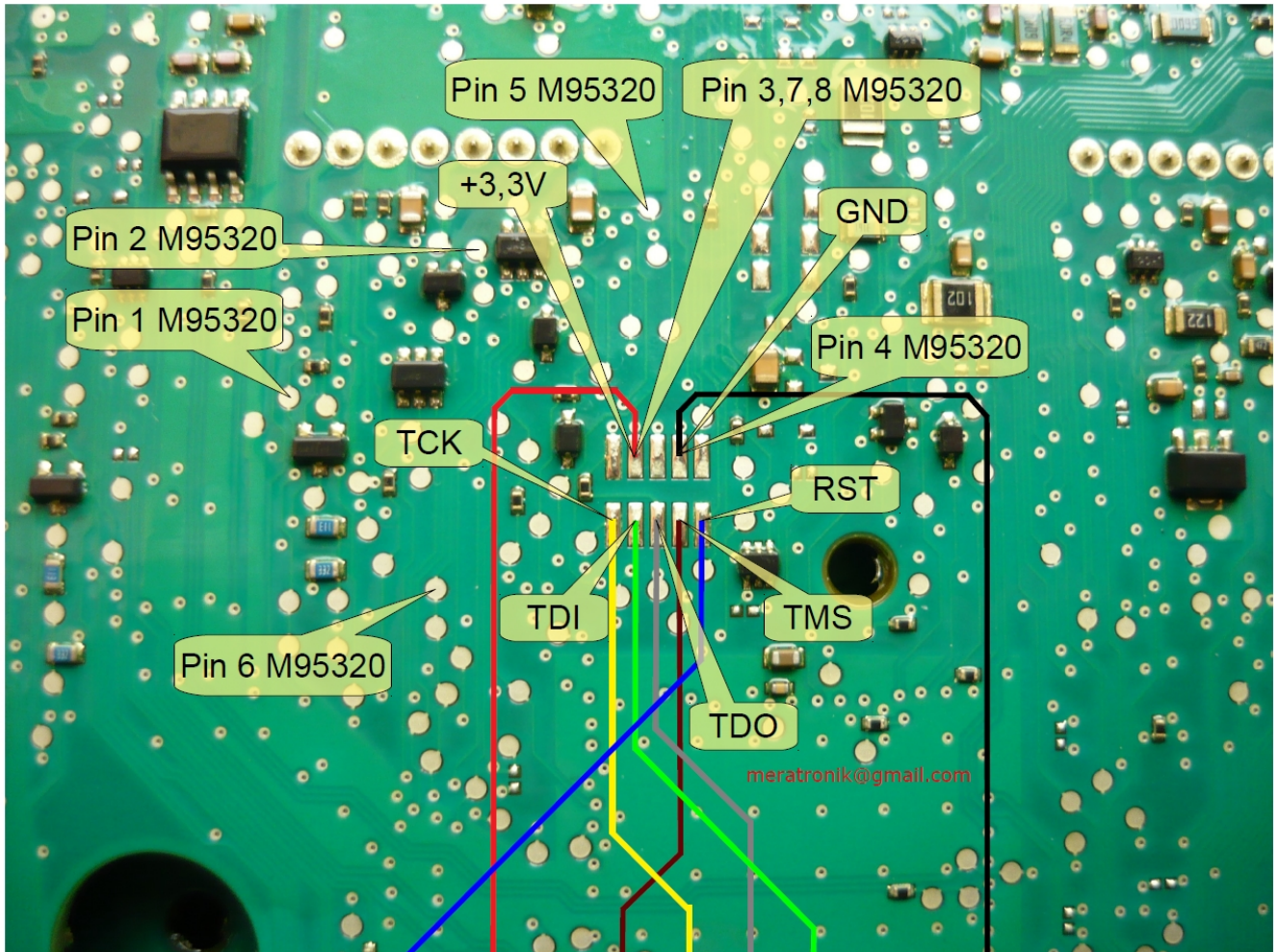
Process take few second and operation is done.

Warning

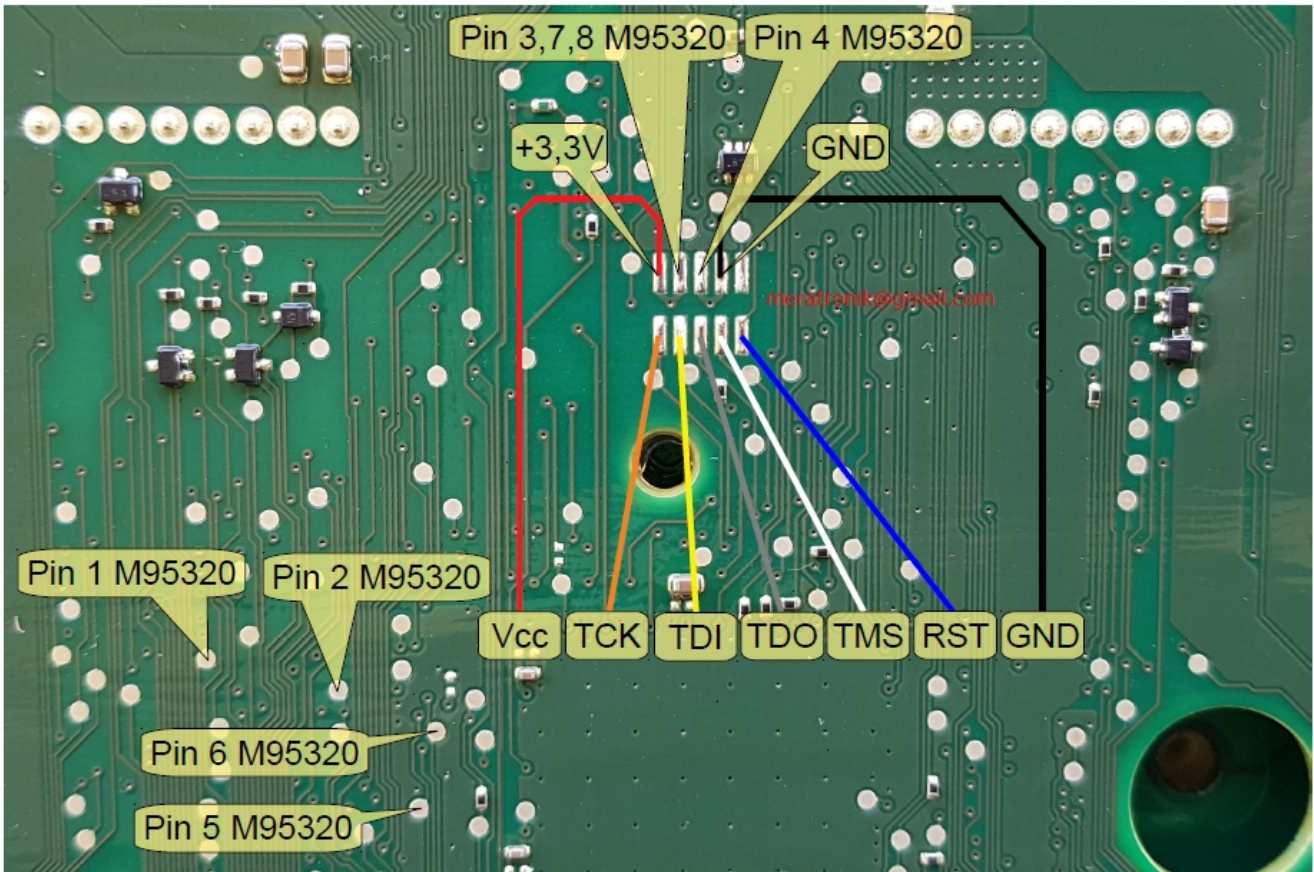
If We need to add new key (old keys stay need to use) first please erase keys and learn all keys.

Without first erase keys added new keys can not works as keyless

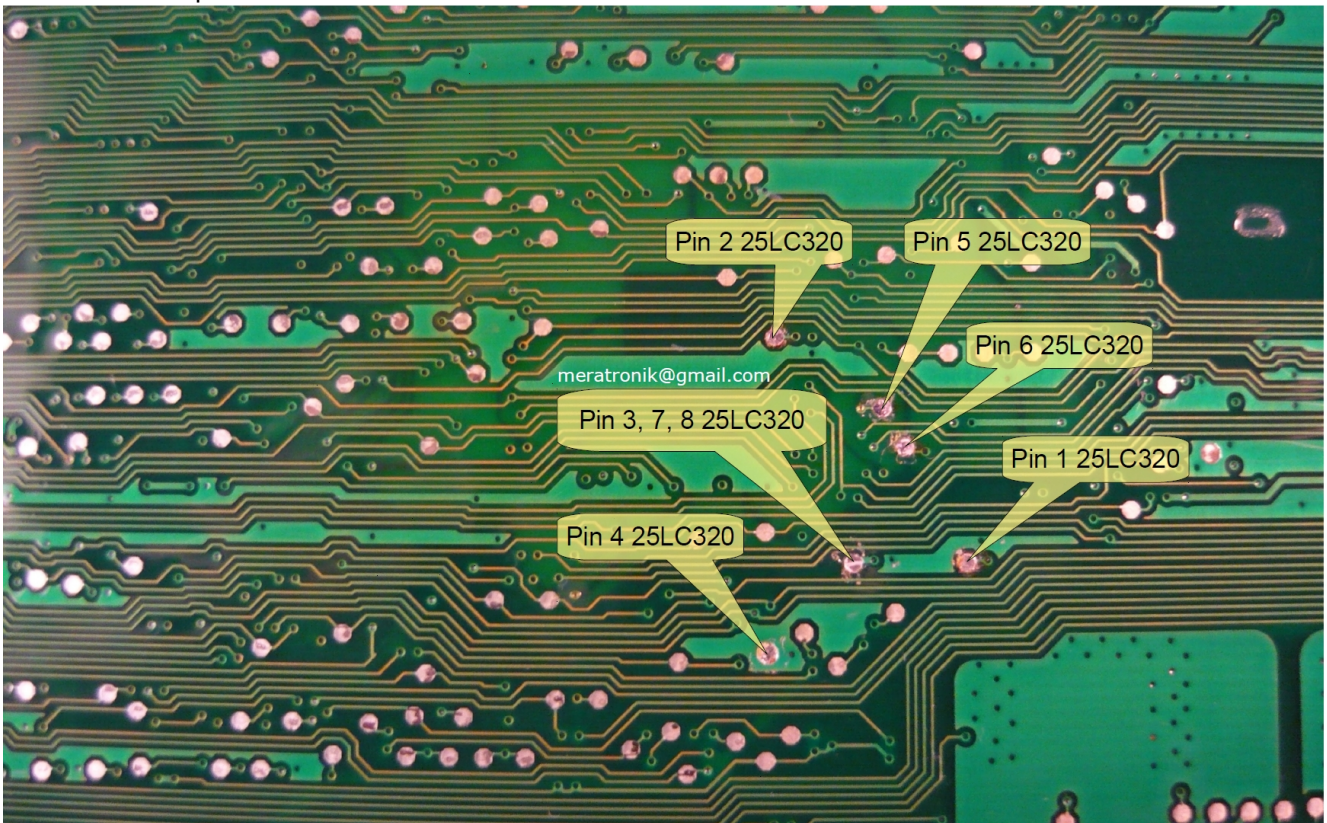
Variant 1
CEM SPC560+ EEprom 95320



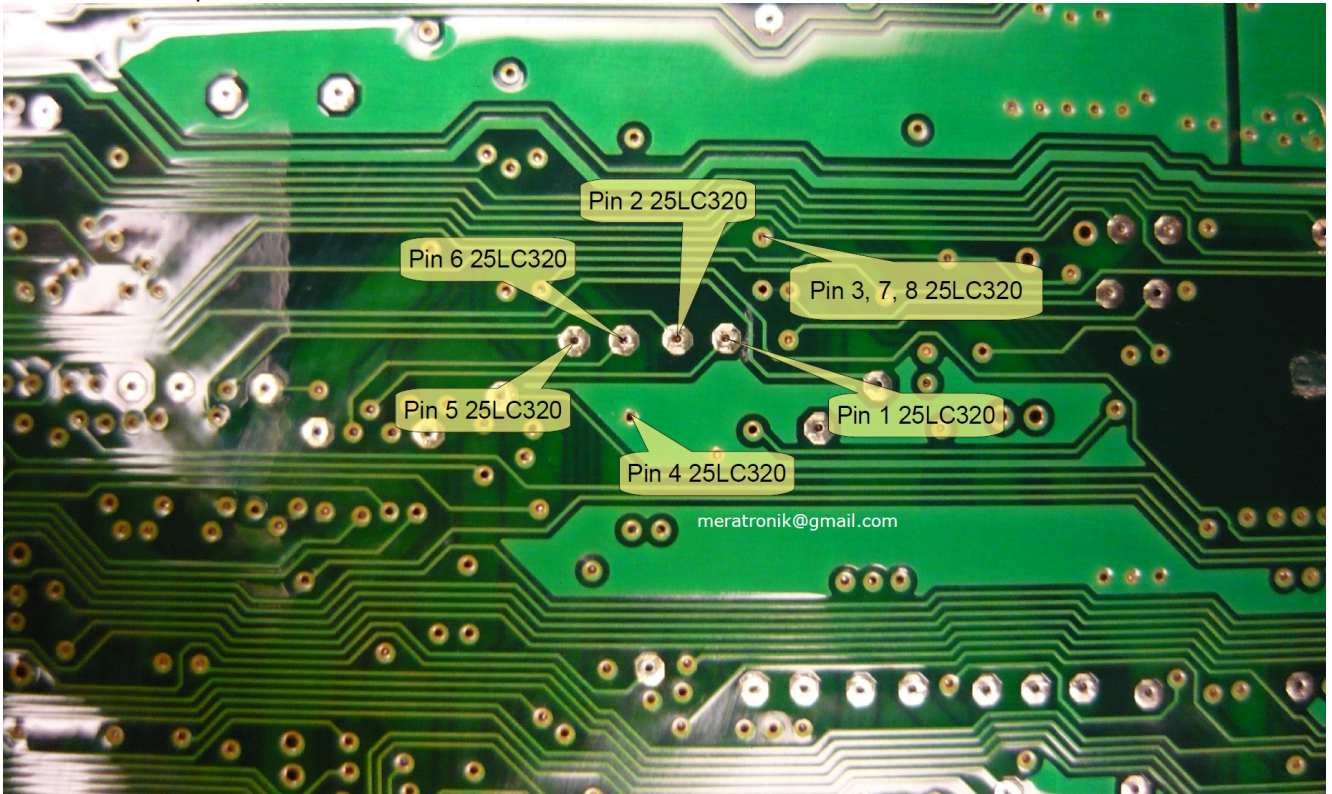
Variant 2
CEM SPC560+ EEprom 95320



Variant 3
CEM M32C+ EEprom 95320

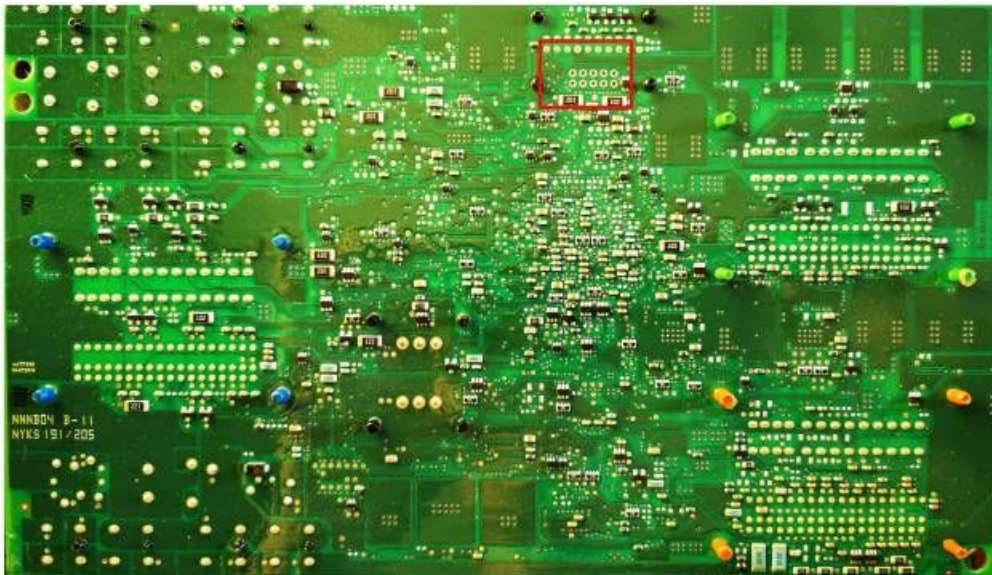
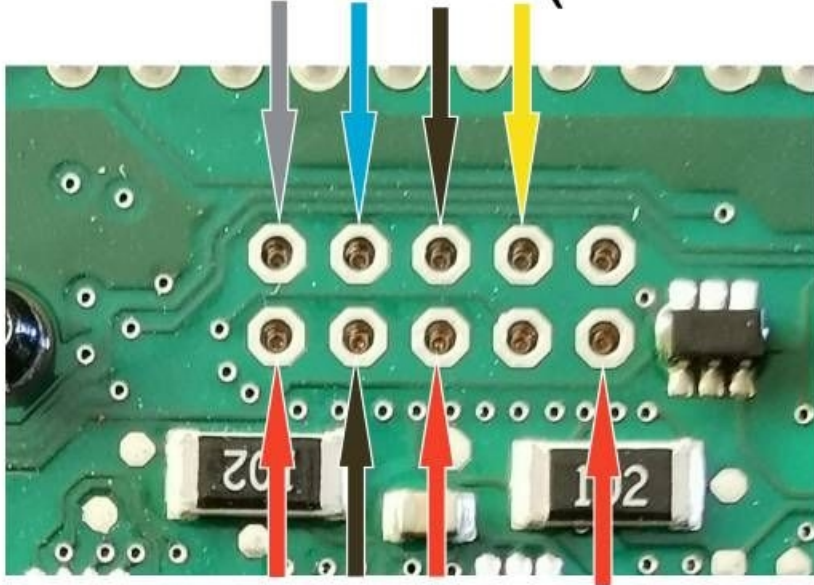


Variant 4
CEM M32C+ EEprom 95320



Variant 5

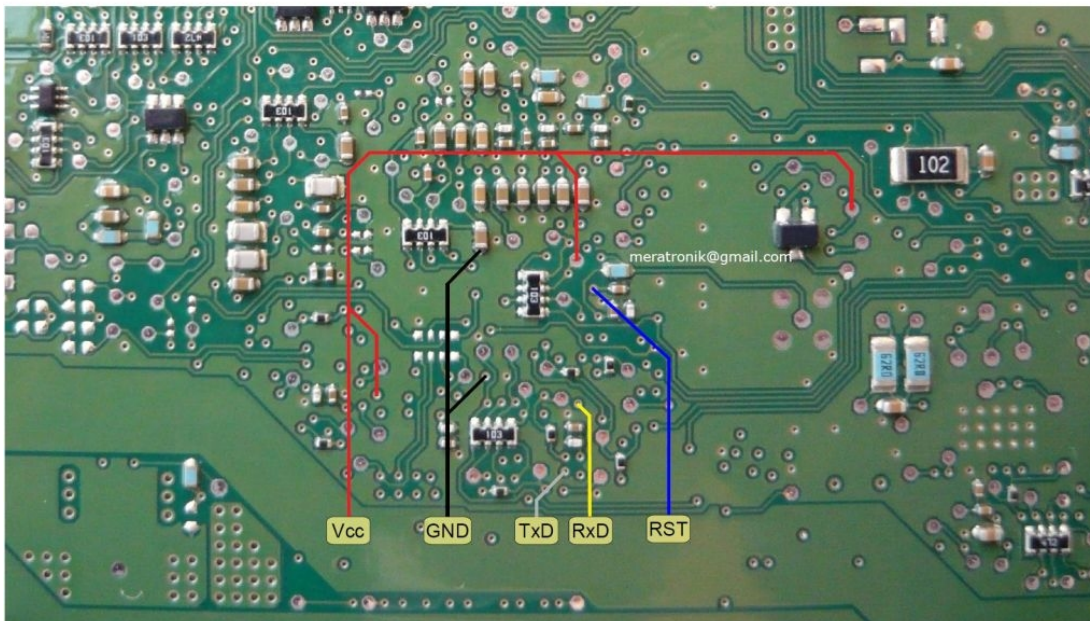
CEM VOLVO R32C (R5F64524/5)



Variant 6

VOLVO CEM 2015 R32C R5F64525

Rev. A 05.02.2018



Modul KeyLss (KVM) MC9S12DG256

